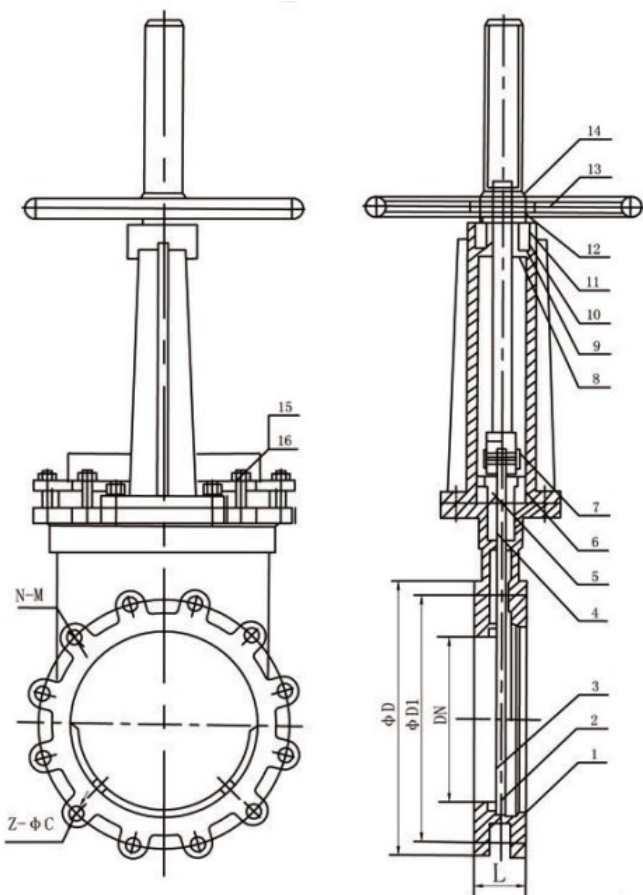


SPLKGV

- I 316 Stainless Steel
- I Table E

MAIN PARTS NAME AND MATERIAL

NO.	PAPT NAME	MATERIAL
1	BADY	CFB
2	SEAT	EPDM
3	DISC	SS316
4	DEFLECTER CCRE	STAINLESS STEEL
5	PACKING	PTFE PACKING
6	CLAND	STAINLESS STEEL
7	YOKE	STAINLESS STEEL
8	STEM	SS304
9	YOKE SLEEVE	COPPER ALLOY
10	BEAR	CCR15
11	KEY	45
12	HANDMHEEL	KTH330-08
13	LOCK NUT	35
14	BOLT	B8
15	NUT	8



DN	L	D1	N-M	Z-ΦC
50	43	114	4-M16	
80	45	146	4-M16	
100	45	178	4-M16	6-Φ17
150	54	235	2-M20	6-Φ22
200	65	292	2-M20	6-Φ22
250	65	356	4-M20	8-Φ22
300	72	406	4-M22	8-Φ25